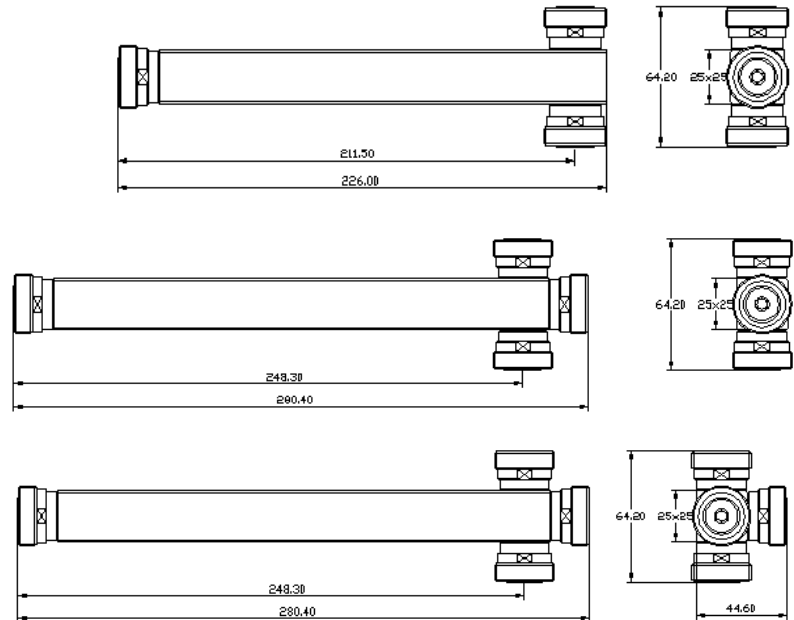


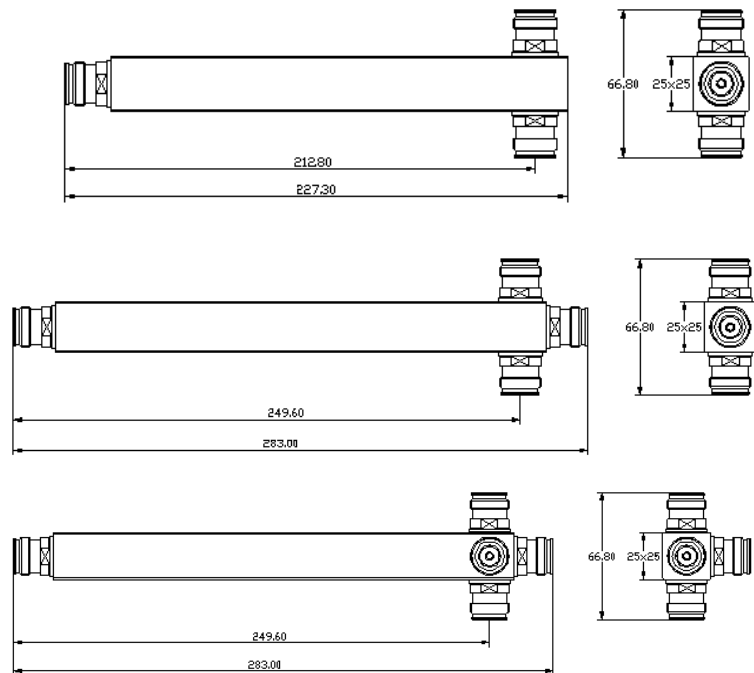
Power Splitters (575-3800MHz, DIN)



Specifications

PRODUCT CODE	SP2-0538-0-DF160 SP3-0538-0-DF160 SP4-0538-0-DF160		
Configurations	1:2	1:3	1:4
Electrical Specifications			
Frequency	575-3800MHz		
Split Loss	3.0 dB	4.8 dB	6.0 dB
Insertion Loss	0.30 dB	0.40 dB	0.50 dB
VSWR	≤1.20	≤1.25	≤1.30
Power Capacity	Avg. 500W, Peek 1.5kW		
Impedance	50 Ω		
Intermodulation	≤-161dBc @ 2 x 43dBm		
Environment Specifications			
Environment	ETS 300 019		
Operating Temp.	-35°C to +75 °C		
Relative humidity	0~95%		
Application	IP65		
Mechanical Specifications			
Dimensions (mm)	226x25x25	280.4x64.2x25	280.4x64.2x44.6
Weight (Kg)	0.58	0.63	0.68
RF Connector	7/16 DIN female/Screw		

Power Splitters (575-3800MHz, 4.3-10)



Specifications

PRODUCT CODE	SP2-0538-O-4F160, SP3-0538-O-4F160, SP4-0538-O-4F160		
Configurations	1:2	1:3	1:4
Electrical Specifications			
Frequency	575-3800MHz		
Split Loss	3.0 dB	4.8 dB	6.0 dB
Insertion Loss	0.30 dB	0.40 dB	0.50 dB
VSWR	≤1.20	≤1.25	≤1.30
Power Capacity	Avg. 300W, Peek 1.2kW		
Impedance	50 Ω		
Intermodulation	≤-161dBc @ 2 x 43dBm		
Environment Specifications			
Environment	ETS 300 019		
Operating Temp.	-35°C to +75 °C		
Relative humidity	0~95%		
Application	IP65		
Mechanical Specifications			
Dimensions (mm)	227.3x66.8x25	283x66.8x25	283x66.8x58.4
Weight (Kg)	0.39	0.47	0.51
RF Connector	4.3-10 female/Screw		

Power Splitters (575-3800MHz, 4.3-10 & N/Flange)

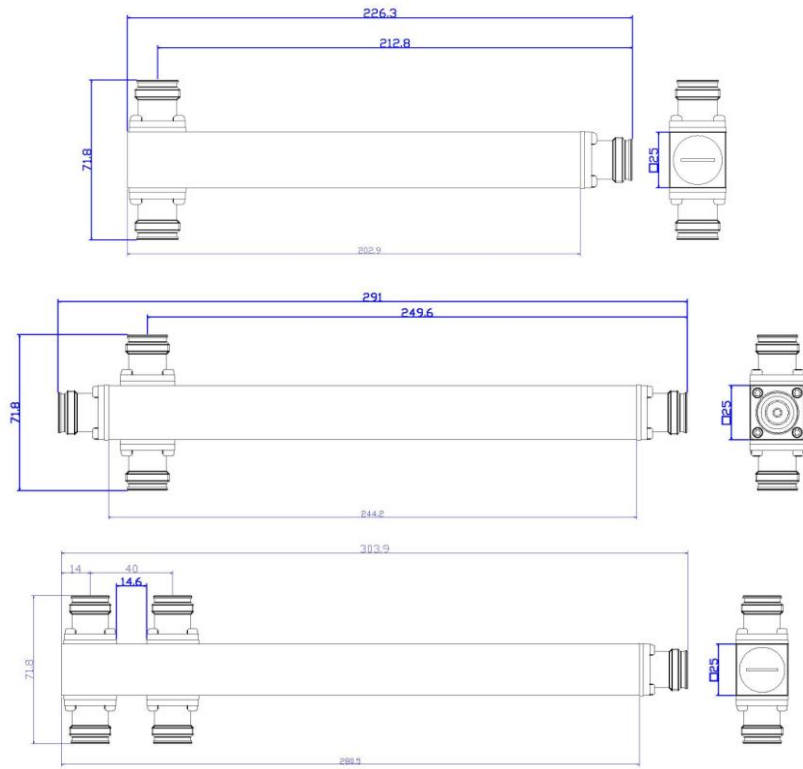
Features

- Covers the Frequencies from 575MHz to 3800MHz
- Indoor & Outdoor Application for 2/3/4/5G Mobile Networks
- Low PIM/Low Insertion Loss/High Power Capacity
- 4.3-10 or N Connector Models Available
- Electrostatic Powder Coating, IP67
- 720h Salt Spray Model Selectable
- RoHS Compliant

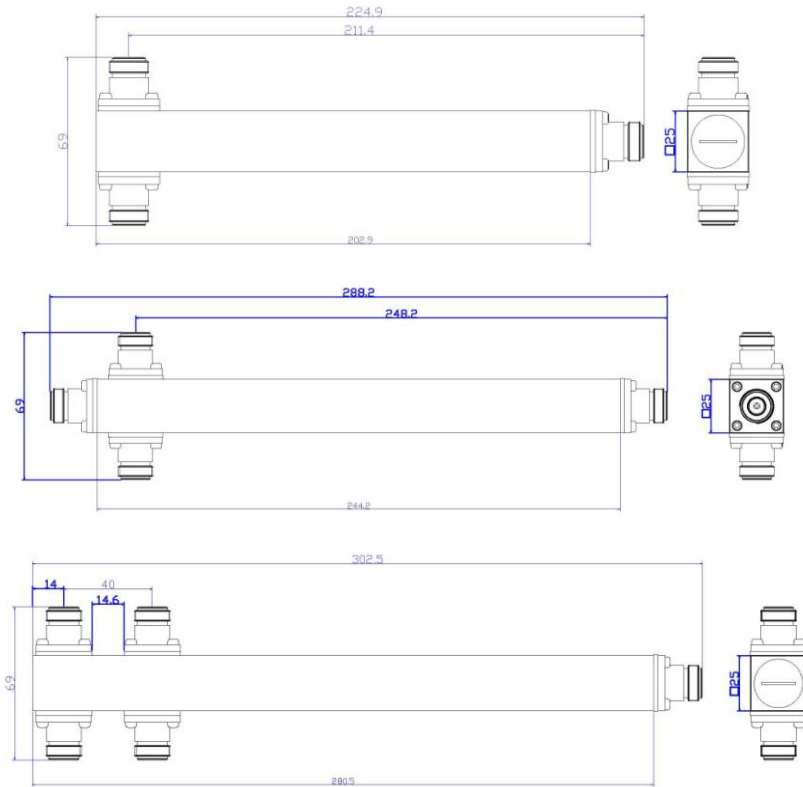


Specifications

PRODUCT CODE	4.3-10: SP2-0538-O-4F160F, SP3-0538-O-4F160F, SP4-0538-O-4F160F N: SP2-0538-O-NF160F, SP3-0538-O-NF160F, SP4-0538-O-NF160F		
Configurations	1:2	1:3	1:4
Electrical Specifications			
Frequency	575-3800MHz		
Split Loss	3.0 dB	4.8 dB	6.0 dB
Insertion Loss	0.30 dB	0.40 dB	0.50 dB
VSWR	≤1.20	≤1.25	≤1.30
Power Capacity	Avg. 300W, Peek 1.2kW		
Impedance	50 Ω		
Intermodulation	≤-161dBc @ 2 x 43dBm		
Environment Specifications			
Environment	ETS 300 019		
Operating Temp.	-35°C to +75 °C		
Relative humidity	0~95%		
Surface Process	Electrostatic Powder Coating/Light Grey		
Application	IP67		
Salt Spray Pass	720 Hours Customizable		
Mechanical Specifications			
Dimensions (mm)	243.5x78.5x28.5	300.2x78.5x28.5	300.2x78.5x53.5
4.3-10 / N	241.0x73.7x28.5	295.8x74.1x28.5	295.8x74.1x51.3
Weight (Kg)	420/400	520/500	635/600
RF Connector	4.3-10 or N female/Flange		



(4.3-10 Connector Models)



(N Connector Models)