

# N Type Dielectric Directional Coupler



**Tone Spread**  
Solutions for Wireless Signal

698-4000 MHz

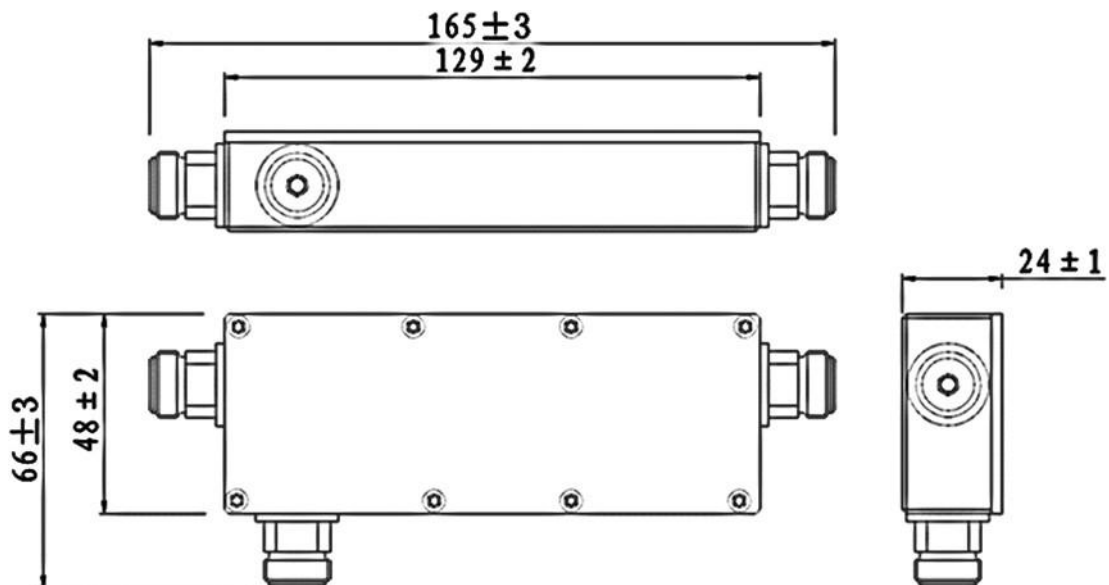
DC-698-4000-XCNB

698-4000MHz N Type Air Dielectric Directional Coupler:

Item	Specification									
Model	DC-698-4000-XCNB									
Frequency Range	698-4000MHz									
Coupling(dB)	5±0.9	6±0.9	7±1.0	8±1.1	10±1.2	13±1.2	15±1.2	20±1.3	30±1.5	40±1.7
Insertionloss	2.3dB	1.7dB	1.4dB	1.4dB	0.9dB	0.6dB	0.44dB	0.34dB	0.3dB	0.3dB
Isolation(dB)	≥23	≥24	≥25	≥26	≥28	≥31	≥33	≥38	≥48	≥55
VSWR	1.30:1									
Intermodulation	-155dBc@2x43dBm*									
AveragePower	300W									
Impedance	50Ω									
Connector	N/Female									
Temperature Range	-40 ~ +85 °C									
Housing Finish Color	Black / Gray / Gold / Frosted Matte Black									
Applications	Indoor / Outdoor Use , IP65 , RoHS Compliant									

\*ThePIMvalueisreflect@900MHzand1800MHz

Product Drawing:



Note: The drawing only for reference, please make the object as the standard.

