

575-3800MHz N TYPE HYBRID COUPLER



Telecommunication Technology & Engineering Accessories

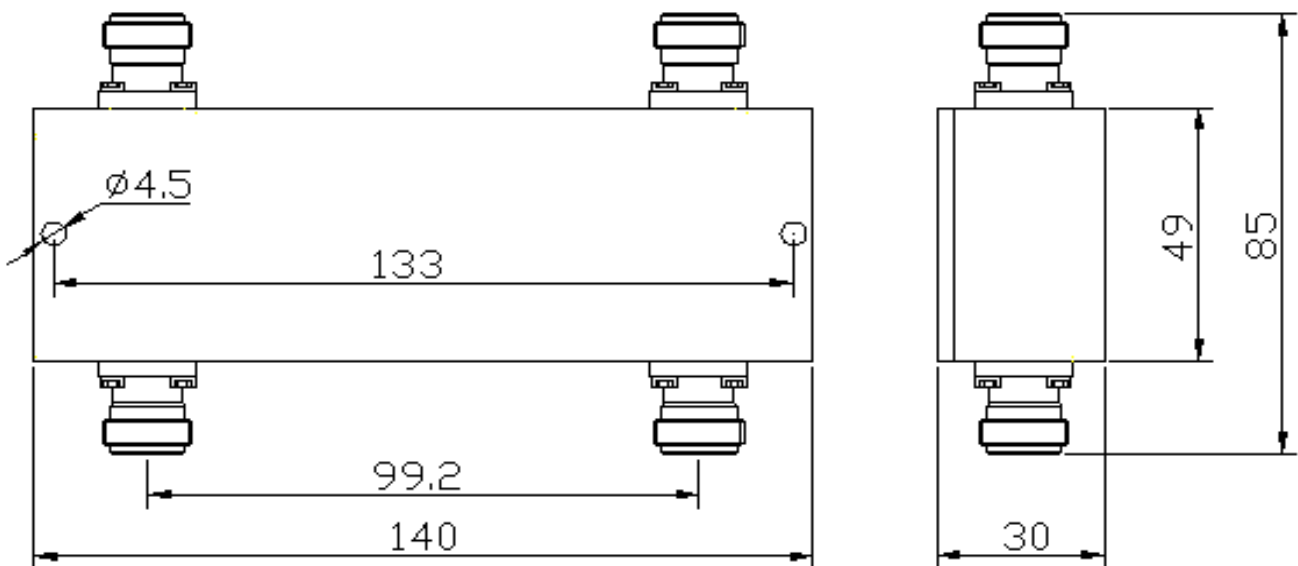
Rev.V1.1

N Type Type 3dB Hybrid Coupler (575-3800MHz):

Item	HB-538-200-3CNH	Product Picture
Frequency Range (MHz)	575-3800 MHz	
Coupling (dB)	3.1dB +/-0.9 dB	
VSWR	≤1.25	
Insertion Loss (dB)	<0.2 dB	
Isolation (dB)	≥23	
Power (W)	200	
PIM	<-161dBc@2X43dBm *	
Impedance (Ω)	50	
Temperature Range (°C)	-25~+85	
Relative Humidity	0% to 100%	
Connector	N-Female	
Environmental	IP65 , RoHS Compliant	

* The PIM value is reflect @ 900MHz and 1800MHz

Product Drawing:



Note: The picture is only for reference, please make the object as the standard



All specifications are subject to change without notice.

©2019 TONE SPREAD TECHNOLOGY CO., LTD. All Rights Reserved.

Website <http://www.tspd.com.tw>

ADD:11169 2F,No 141,Fu-Gang St. Taipei ,Taiwan

TEL:+886-2-28828979

FAX:+886-2-28829196

E-mail: sales@tspd.com.tw