

JTD-D0672UT-A

Application

Used in 2G/3G/4G/5G/WLAN system

Electrical specifications

Frequency range (MHz)	617~960	1710~2700	3300~3800	4900~7200
Polarization	Vertical			
Maximum Gain (dBi)(based on 30cm cable)	3	4	5	6
Horizontal beam width (°)	360			
Vertical beam width (°)	60	30	25	20
Impedance (Ω)	50			
VSWR	≤2.5	≤2.0		
Maximum power (W)	20			

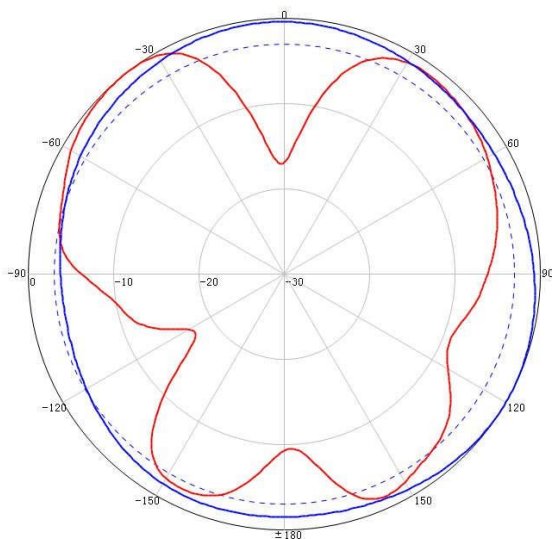
Mechanical specifications

Connector	2*SMA male
Customized Cable Length (cm)	300(RG174)
Connector position	Bottom
Antenna size (mm)	Φ55.5*89(Excluding thread size)
Weight (kg)	≤0.6
Radome material	ABS
Radome color	Black
Waterproof	IP65
Operating temperature (°C)	-40~60
Application	Outdoor
Mounting	Nut

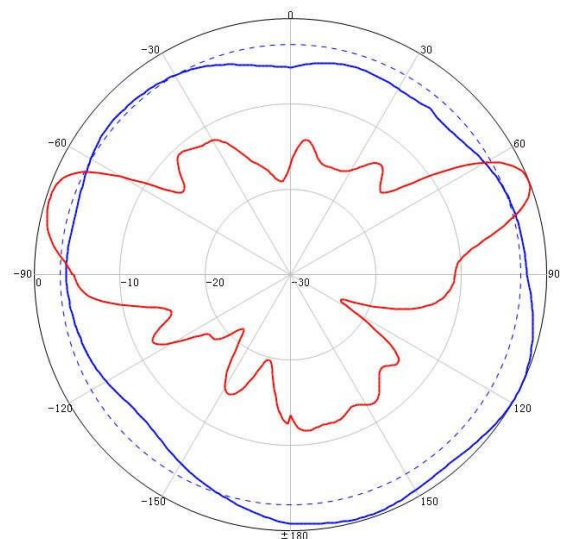
Attention!

VSWR and radiation parameters to use Φ50cm in diameter of metal base plate for testing.

617~960MHz Typical pattern:



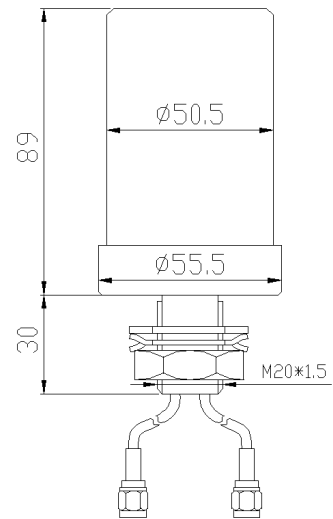
1710~7200MHz Typical pattern:



Product pictures



Product size



Installation Sketch

