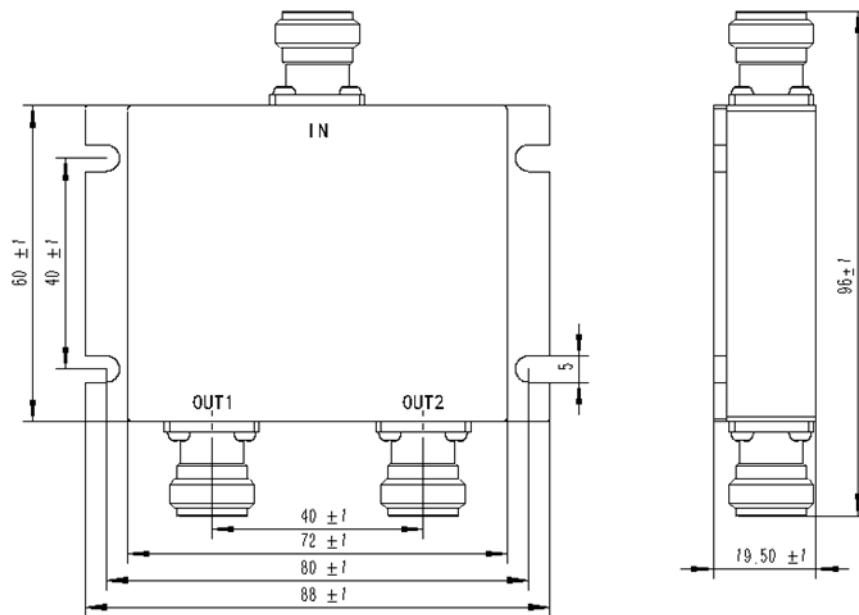


Specification of the 30~110MHz 2-Way Micro-Strip Power Splitter:

Item	Specification
Model	PS-30-110-2MNI
Frequency Range (MHz)	30~110
Insertion (dB)	≤0.3
Split Loss (dB)	≤3
VSWR	≤1.20:1
Isolation (dB)	≥23
Power Rating (W)	10
Impedance (Ω)	50
Temperature Range (°C)	-25 - 85
Size L x W x D	88x60x20mm
Applications	IP65

Product Drawing:



Note: The drawing only for reference, please make the object as the standard.