

# 698-3800MHz 300W POWER SPLITTER



Telecommunication Technology & Engineering Accessories

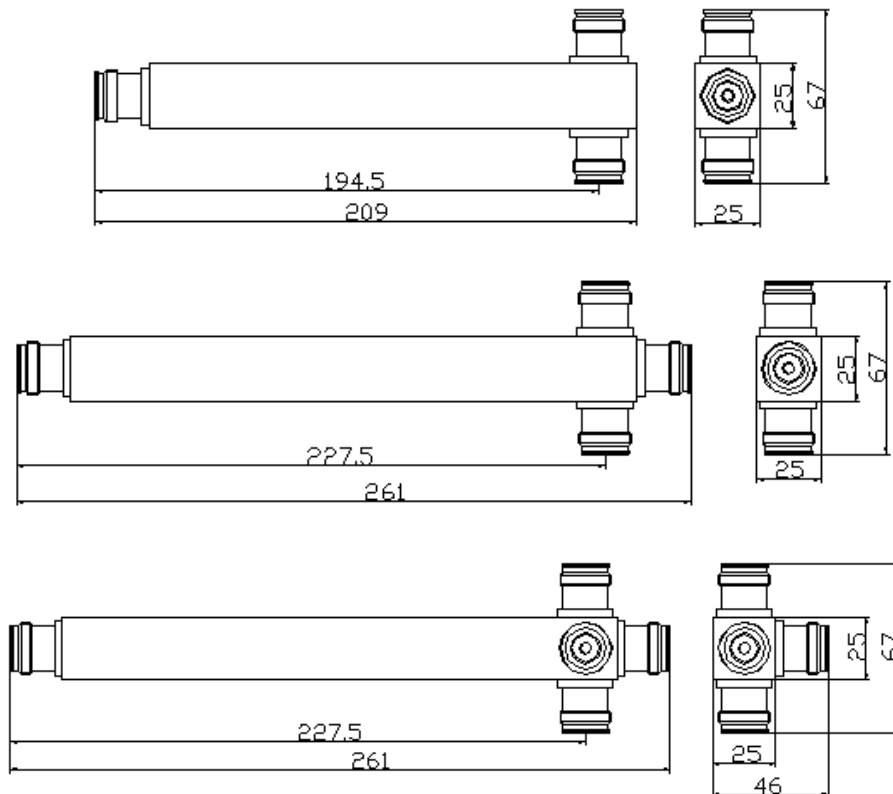
Rev.V1.2

Specifications of 4.3/10 Type High Power Air-line Dielectric Power Splitter (698-3800MHz):

Item	Specification		
Model	PS-738-300-2C43MDI	PS-738-300-3C43MDI	PS-738-300-4C43MDI
Frequency Range	698-3800 MHz		
Split	2	3	4
Split Loss	3 dB	4.8 dB	6 dB
VSWR	1.25	1.30	1.35
Insertion loss	0.25 dB	0.35 dB	0.45 dB
Intermodulation	-160dBc@2x43dBm*		
Power Rating	300 W		
Impedance	50 Ω		
Connector	4.3-10/Female		
Temperature Range	-35 - 75 °C		
Applications	Indoor/Outdoor, IP65 ,RoHS Compliant		

\* The PIM value is reflect @ 900MHz and 1800MHz

Product Drawing:



All specifications are subject to change without notice.

©2019 TONE SPREAD TECHNOLOGY CO., LTD. All Rights Reserved.

Website <http://www.tspd.com.tw>

ADD: 11169 2F, No 141, Fu-Gang St. Taipei, Taiwan

TEL: +886-2-28828979

FAX: +886-2-28829196

E-mail: [sales@tspd.com.tw](mailto:sales@tspd.com.tw)