

350-5930MHz N TYPE POWER TAPPER



Telecommunication Technology & Engineering Accessories

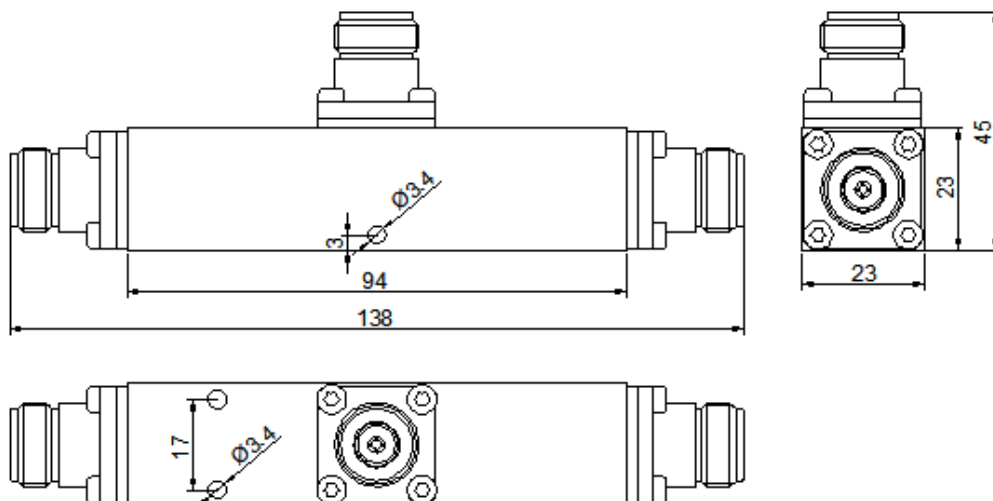
Rev.V1.2

Specifications of 350-5930MHz N Type Power Tapper:

Item	Specification									
Model	PT-360-500-XCNI									
Frequency Range	350-520 / 698-960 / 1710-2700 / 3500-4500 / 4900-6000 MHz									
Coupling	5 dB	6 dB	7 dB	8 dB	10 dB	13 dB	15 dB	20 dB	30 dB	
Branch Fluctuate (dB)	350-520	-0.5/-1.3	0/-1.0	-0.7	-0.7	-0.4	-0.2	-0.1	-0.1	-0.1
	698-960	0/-1.0	±0.5	0/-1.0	0/-1.0	0/-1.0	0/-1.0	0/-1.0	0/-1.0	+1.0/0
	1710-2700	0/-0.8	±0.5	±0.5	±0.5	±0.6	±0.6	±0.7	0/-1.0	+1.0/0
	3500-4500	0/-1.8	0/-1.8	±0.5	±0.5	±0.6	±0.6	±0.7	0/-1.2	±1.0
	4900-5930	±0.8	±0.8	±1.0	±1.0	±1.0	±0.8	±0.7	+1.5/0	+3.5/+1
VSWR	690-2700	1.30:1	1.25:1	1.20:1	1.20:1	1.20:1	1.20:1	1.20:1	1.15:1	1.15:1
	350-6000	1.50:1	1.50:1	1.30:1	1.30:1	1.30:1	1.30:1	1.30:1	1.20:1	1.25:1
Ratio,nom(dB btwn Output)	2:1/3.0	3:1/4.8	4:1/6.0	6:1/8.0	10:1/10	20:1/13	30:1/15	100:1/20	1000:1/30	
Output Split(Main/Branch dB)	-1.8/-4.8	-1.3/-6.1	-1.0/-7.0	-0.7/-8.5	-0.4/-10.5	-0.2/-13.0	-0.1/-15.3	-0.1/-20.1	-0.1/-30.1	
Intermodulation	-160dBc@2x43dBm *									
Power Rating	500 W									
Impedance	50 Ω									
Connector	N/Female or N/Male									
Temperature Range	-35~75°C									
Applications	Indoor/Outdoor Use , IP67 , RoHS Compliant									
Remark	Install Bracket Include									
Product Drawing	As Below									

* The PIM value is reflect @ 900MHz and 1800MHz

Product Drawing:



All specifications are subject to change without notice.

©2019 TONE SPREAD TECHNOLOGY CO., LTD. All Rights Reserved.

Website <http://www.tspd.com.tw>

ADD:11169 2F,No 141,Fu-Gang St. Taipei ,Taiwan

TEL:+886-2-28828979

FAX:+886-2-28829196

E-mail: sales@tspd.com.tw