

二功分器

2 Way Power Splitter



Tone Spread
Solutions for Wireless Signal

225-400MHz(N-F)

TS-PS-400-2NF

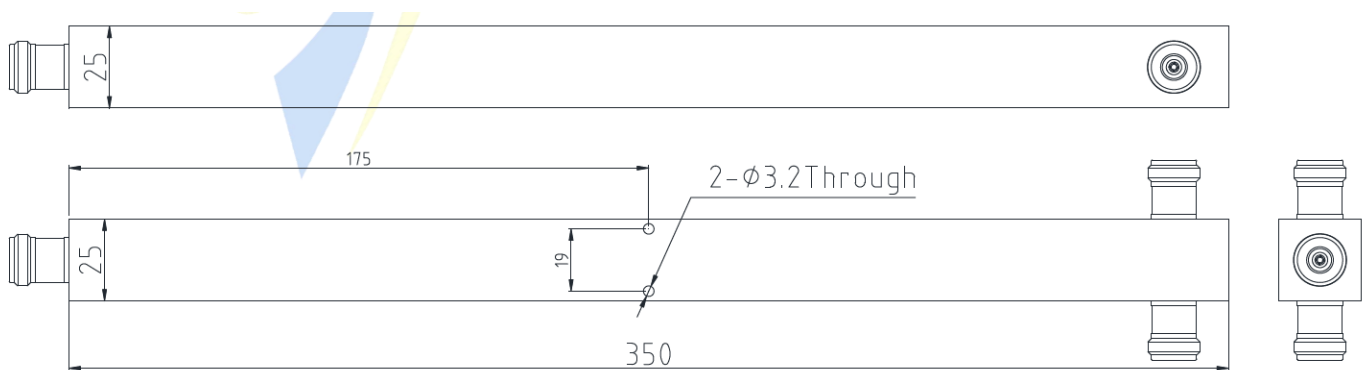
Telecommunication Technology & Engineering Accessories

Rev.V1.0

規格(Technical & Mechanical Specifications)

Frequency Range(MHz)	225-400
Type	2 - Way
Insertion Loss (dB)	≤3.5 dB
VSWR	≤1.5
Power(W)	200W AVG
Impedance(Ω)	50
Environmental Specifications	
Operating Temperature(°C)	-20° C to +60° C
Size(mm) ±10%	350×25×25
Relative humidity	≤95%
Applications	Indoor IP55
Mechanical Data	
RF Connector	N-F
Colour	Black or Custom

Product Drawing:



Note: The picture is only for reference, please make the object as the standard