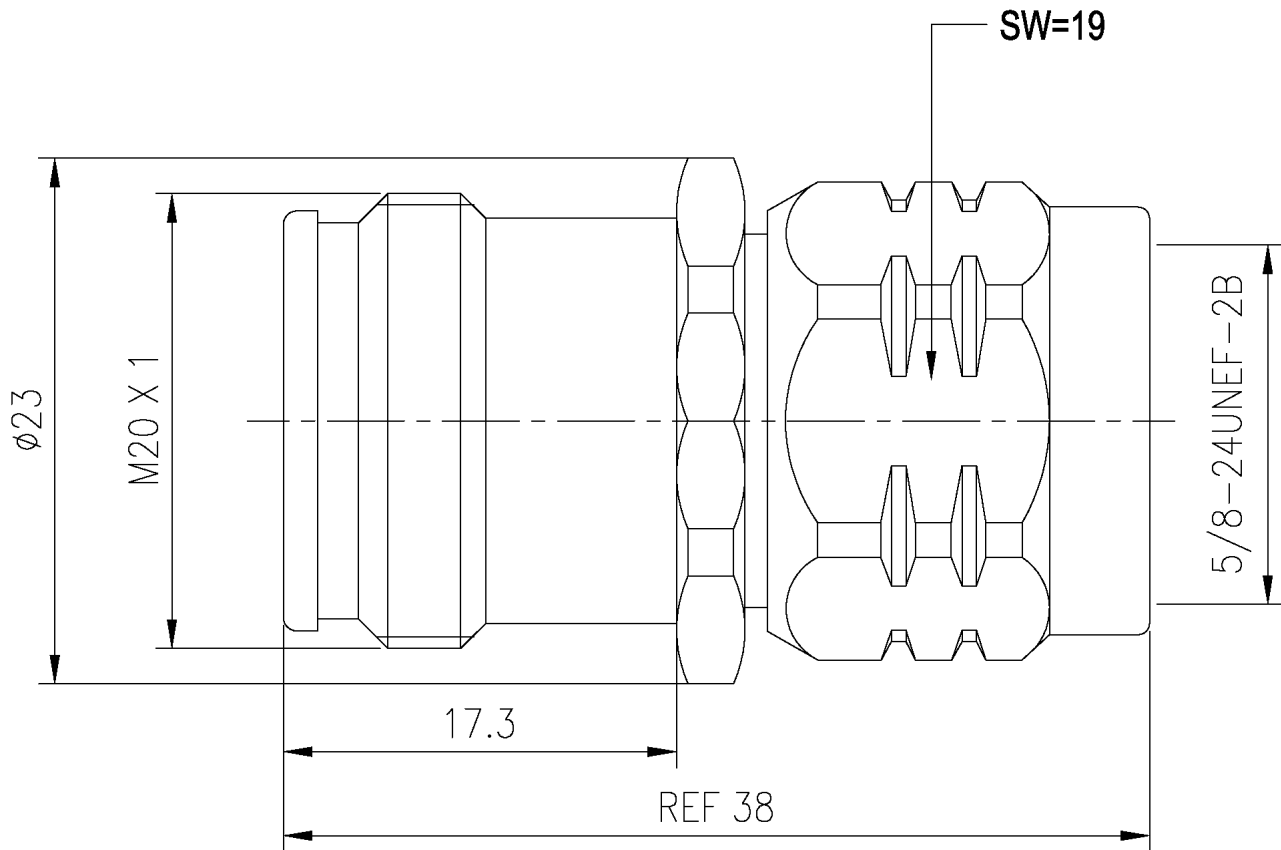
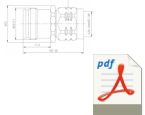


### 43MD/F-N/M



43MD/F-N/M



Low PIM 4.3/10 FEMALE TO N MALE RF ADAPTER

?: ????  
7 Days

?????????

??

Model		43MD/F-N/M
Frequency Range		0~6GHz
Contact Resistance	Inner Conductor	?0.4 m?
	Outer Conductor	?1.5 m?
Insulation Resistance		?5000 M?

Withstanding Voltage AC(V/min)	?3000V
VSWR	?1.08(0~3GHz) , ?1.20(0~6GHz)
PIM (2X43dBm)	<-165dBc (
Insertion Loss	?0.1dB
Impedance	50?
Durability	500 Cycles