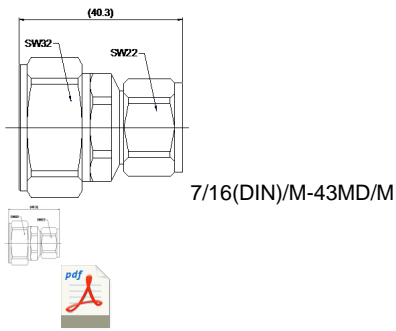


7/16(DIN)/M-43MD/M



Low PIM 7/16(DIN) M TO 4.3/10 M RF ADAPTER

??: ????
7 Days
★★

[????????](#)

??

Model		7/16(DIN)/M-43MD/M
Frequency Range		0~6GHz
Contact Resistance	Inner Conductor	?0.4 m?
	Outer Conductor	?1.5 m?
Insulation Resistance		?5000 M?
Withstanding Voltage AC(V/min)		?3000V
VSWR		?1.08(0~3GHz) , ?1.20(0~6GHz)
PIM (2X43dBm)		<-165dBc (
Insertion Loss		?0.1dB
Impedance		50?
Durability		500 Cycles