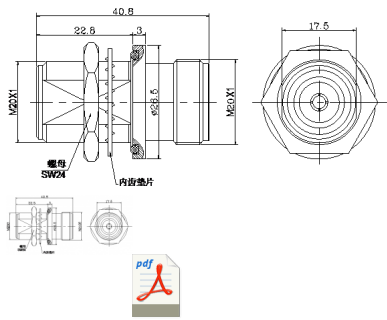


41MD/F-41MD/F



41MD/F-41MD/F

4.1/9.5(MINI DIN) F to 4.1/9.5(MINI DIN) F (BK) RF ADAPTER

??-????
7 Days

[?????????](#)

??

Model		41MD/F-41MD/F
Frequency Range		0~6GHz
Contact Resistance	Inner Conductor	?0.4 m?
	Outer Conductor	?1.5 m?
Insulation Resistance		?5000 M?
Withstanding Voltage AC(V/min)		?3000V
VSWR		?1.08(0~3GHz) , ?1.20(0~6GHz)
PIM (2X43dBm)		<-165dBc (
Insertion Loss		?0.1dB
Impedance		50?
Durability		500 Cycles