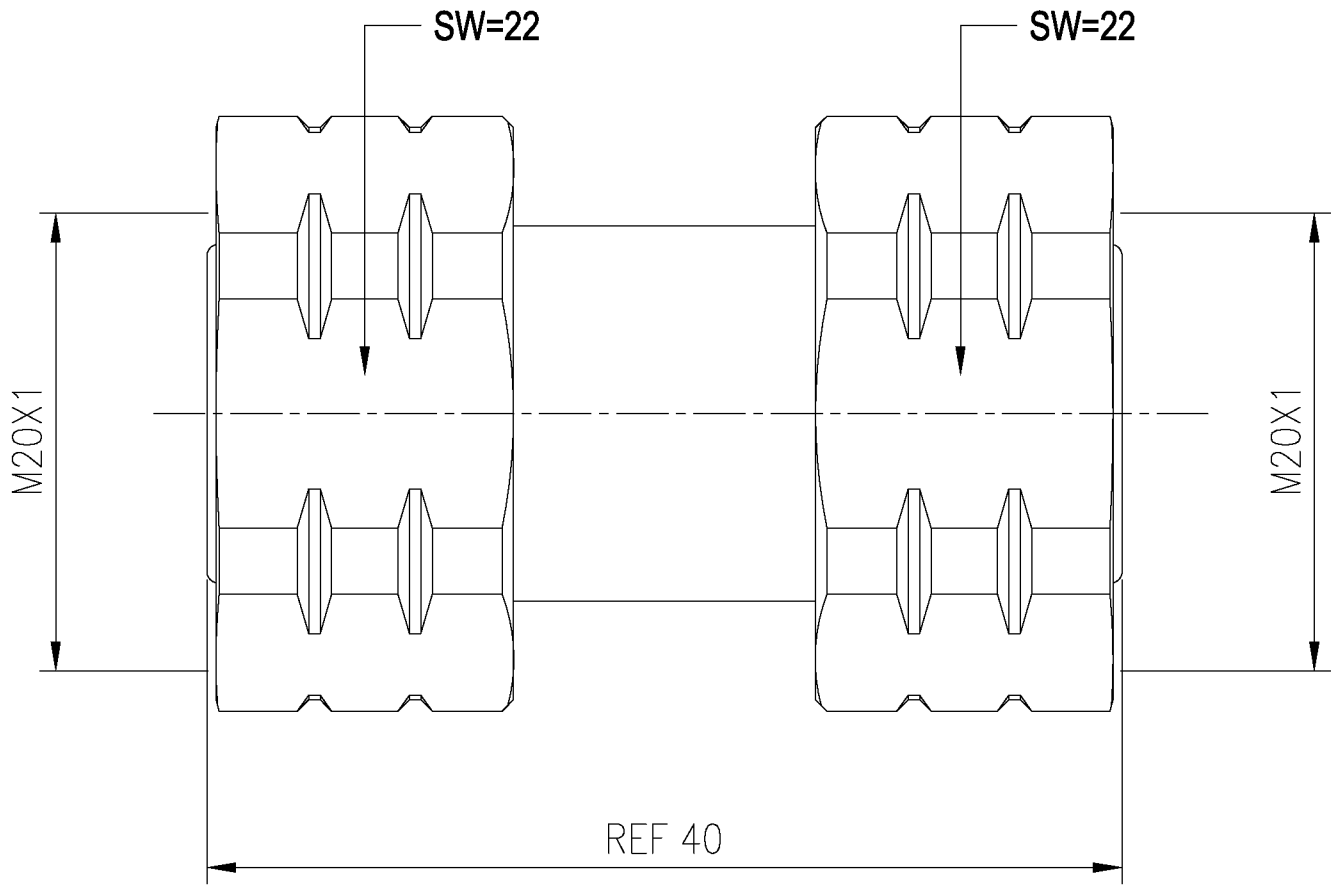
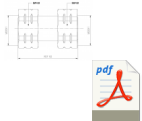


43MD/M-43MD/M



43MD/M-43MD/M



Low PIM 4.3/10 MALE TO 4.3/10 MALE RF ADAPTER

??: ????
7 Days

[??????????](#)

??

Model		43MD/M-43MD/M
Frequency Range		0~6GHz
Contact Resistance	Inner Conductor	?0.4 m?
	Outer	?1.5 m?

	Conductor
Insulation Resistance	?5000 M?
Withstanding Voltage AC(V/min)	?3000V
VSWR	?1.08(0~3GHz) , ?1.20(0~6GHz)
PIM (2X43dBm)	<-165dBc (
Insertion Loss	?0.1dB
Impedance	50?
Durability	500 Cycles