

N TYPE POWER SPLITTER



Tone Spread
Solutions for Wireless Signal

698-4000 MHz

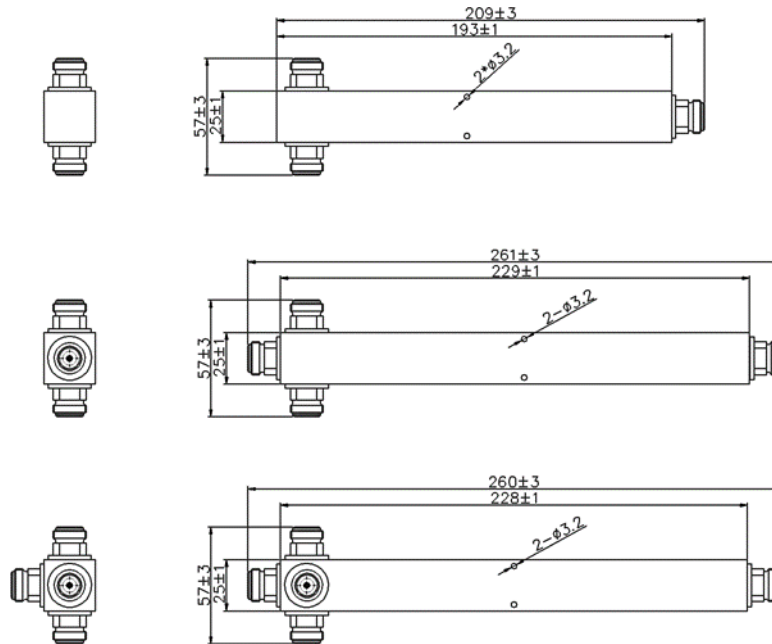
PS-698-4000-xCNB

Specifications of High Power 698-4000MHz N Type Power Splitter (Air-Line Dielectric):

Item	Specification		
Model	PS-698-4000-2CNB	PS-698-4000-3CNB	PS-698-4000-4CNB
Frequency Range	698-4000MHz		
Split	2 dB	3 dB	4 dB
Insertion loss	≤3.3dB	≤5.3dB	≤6.5dB
VSWR	≤1.30		
Intermodulation	≤-155dBc@2x43dBm(<-160dBc@2x43dBm Typical)*		
Power Rating	300 W		
Impedance	50 Ω		
Connector	N Female		
Temperature Range	-35~85°C		
Applications	Indoor/Outdoor Use, IP65		
RoHS	Compliant		

*The PIM value is reflect @900MHz and 1800MHz

Product Drawing:



Note: The drawing only for reference, please don't make the object as the standard.

